



CATALOGUE
DES PRODUITS
BOÎTIERS ÉLECTRIQUES ET CABINETS



20

IP55 METRIC BOXES

6500 ESDD

OIL & DUST TIGHT DOUBLE DOOR ENCLOSURE, METRIC

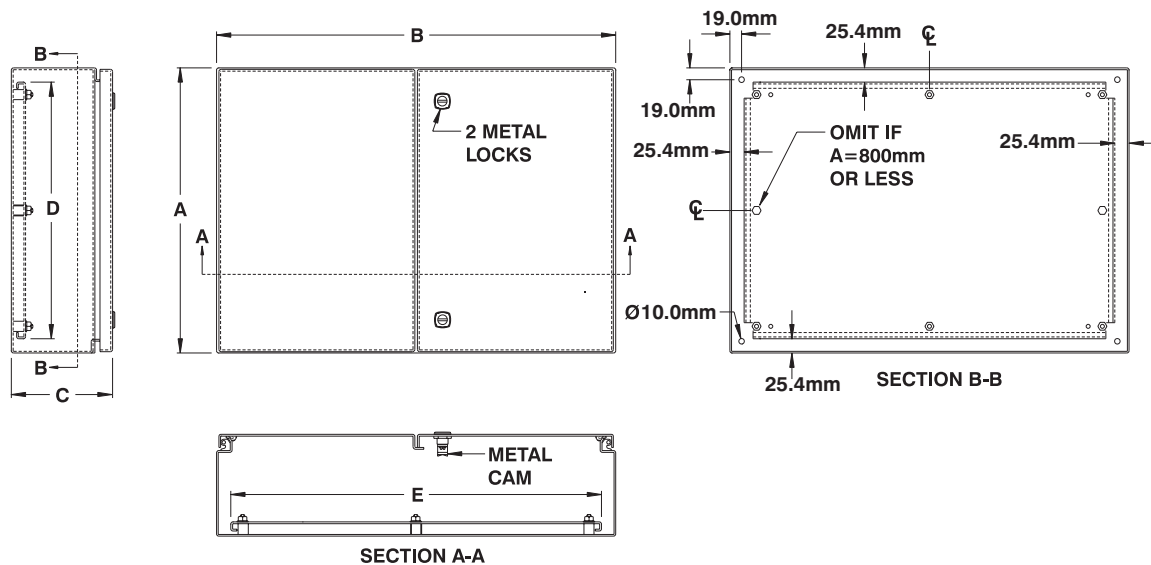
The 6500 ESDD oil and dust tight enclosures have a wall mounted double door, and are to be used indoors for protection against dirt, dust and oil. The box and cover are made of high quality 14 GA steel with all seams continuously welded. The opening has a curled lip around all sides and there is no center post. The left hand door is flanged, and the quarter turn locks are located on

the right hand door. Larger enclosures have a three point handle on the right hand door. The captive pins of the concealed hinges can be easily pulled to remove the door. Wall mounting feet are optionally available. **Each enclosure comes complete with a 12 GA galvanized inner panel,** which mounts on welded M8 studs. Enclosures are finished with heat fused powder paint,

electrostatically applied on a pre-treated base. The cabinet is RAL7035 textured light gray, the inner panel is unpainted galvanized steel (other colors available).

**CSA Certified / UL Listed
NEMA/EEMAC 12-13 / IP55**

Refer to p.734 to validate choice of substrate for the application



CATALOG NUMBER	DIMENSIONS - METRIC (mm)					SHIP WGHT LBS.
	B	A	C	D	E	
6500 ESDD100820	1000	800	200	750	950	112
6500 ESDD080630	800	600	300	550	750	71
6500 ESDD100830	1000	800	300	750	950	128



p.506

p.506

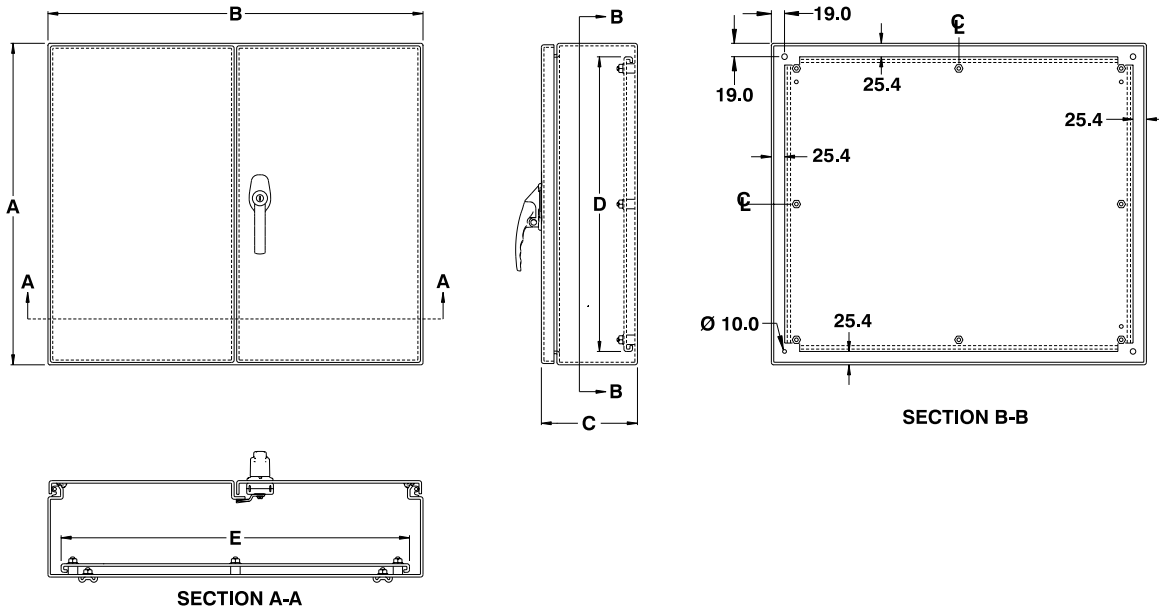
p.498

p.506

p.500

p.524

p.554



CATALOG NUMBER	DIMENSIONS - METRIC (mm)					SHIP WGHT LBS.
	B	A	C	D	E	
6500 ESDD101030	1000	1000	300	950	950	152
6500 ESDD101230	1000	1200	300	1150	950	176



CUSTOMIZE THIS
ENCLOSURE WITH **BOXCAD**
SIZE - COLOR - CUT-OUTS

Insulated box? To have your enclosure insulated, add suffix "TH"

i.e.: 6500 ESDD101230TH → Insulated steel enclosure



p.552

p.538

p.535

p.556

p.539

p.603

p.625

p.565

p.534